

## HV609 EVAPORATOR – HEATING AND COOLING

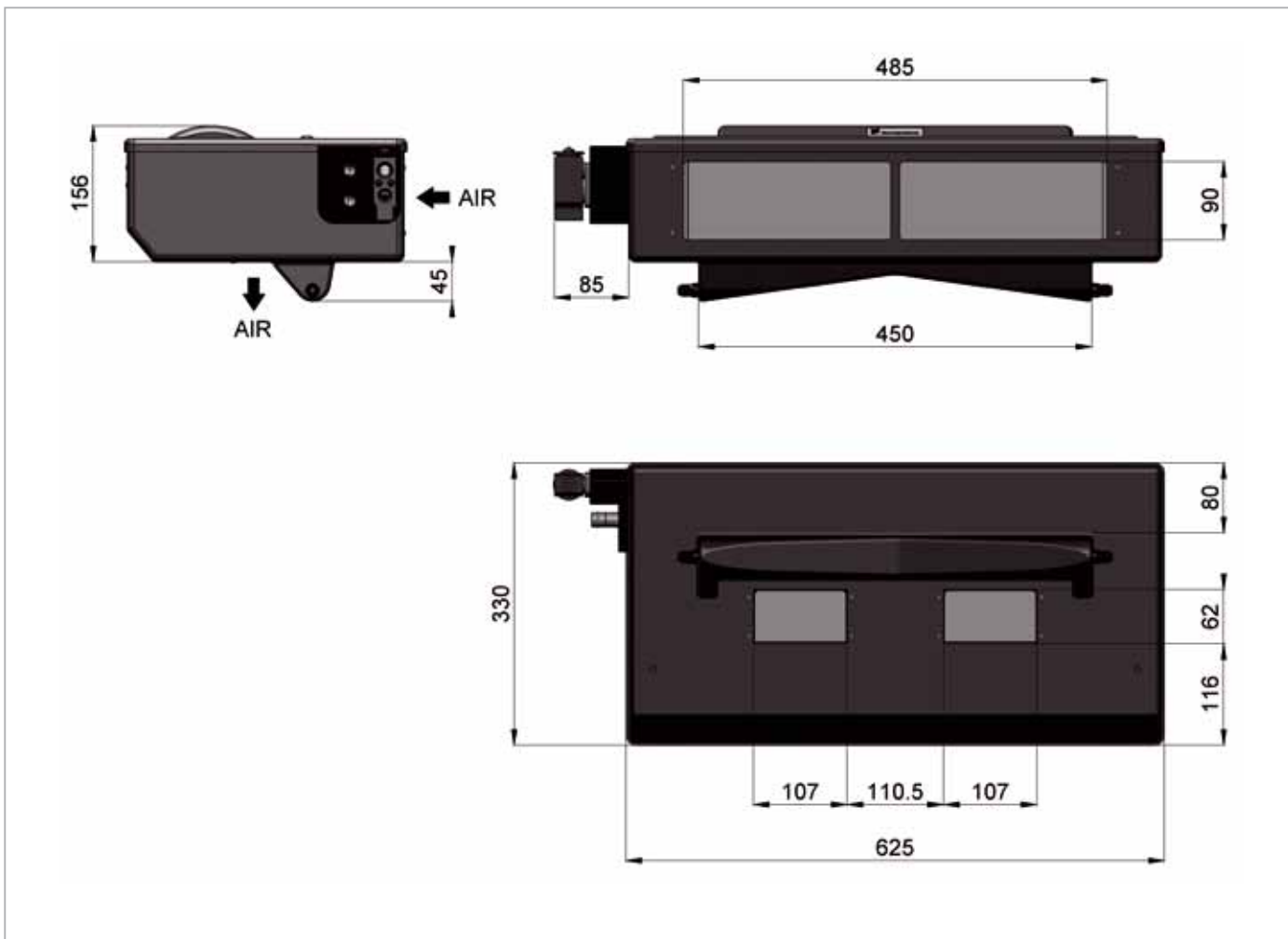


HV609 EVAPORATOR



### ADVANTAGES:

- Especially suitable for construction and agricultural machines.
- Maximum power (9 kW) combined with compact design.
- Suitable for any climatic conditions.
- Supplies cold and warm air for pleasant temperatures.
- Optionally, the system can be fully automated by means of an easy-to-use digital control element.



**DESCRIPTION**

|                      |                           |                 |
|----------------------|---------------------------|-----------------|
| Evaporator           | HV609                     |                 |
| Part Number          | 81 1009 10 0515           | 81 1009 10 0517 |
| Voltage              | V 12                      | 24              |
| Current draw (max.)  | A 12                      | 6               |
| Cooling Performance  | kW 9                      |                 |
| Heating Performance  | kW 11                     |                 |
| Airflow              | m³/h 600                  |                 |
| Weight               | kg 8.0                    |                 |
| Dimensions W x D x H | mm 625 x 330 x 156 (+ 45) |                 |

Date 08/2013 - Subject to change without notice.