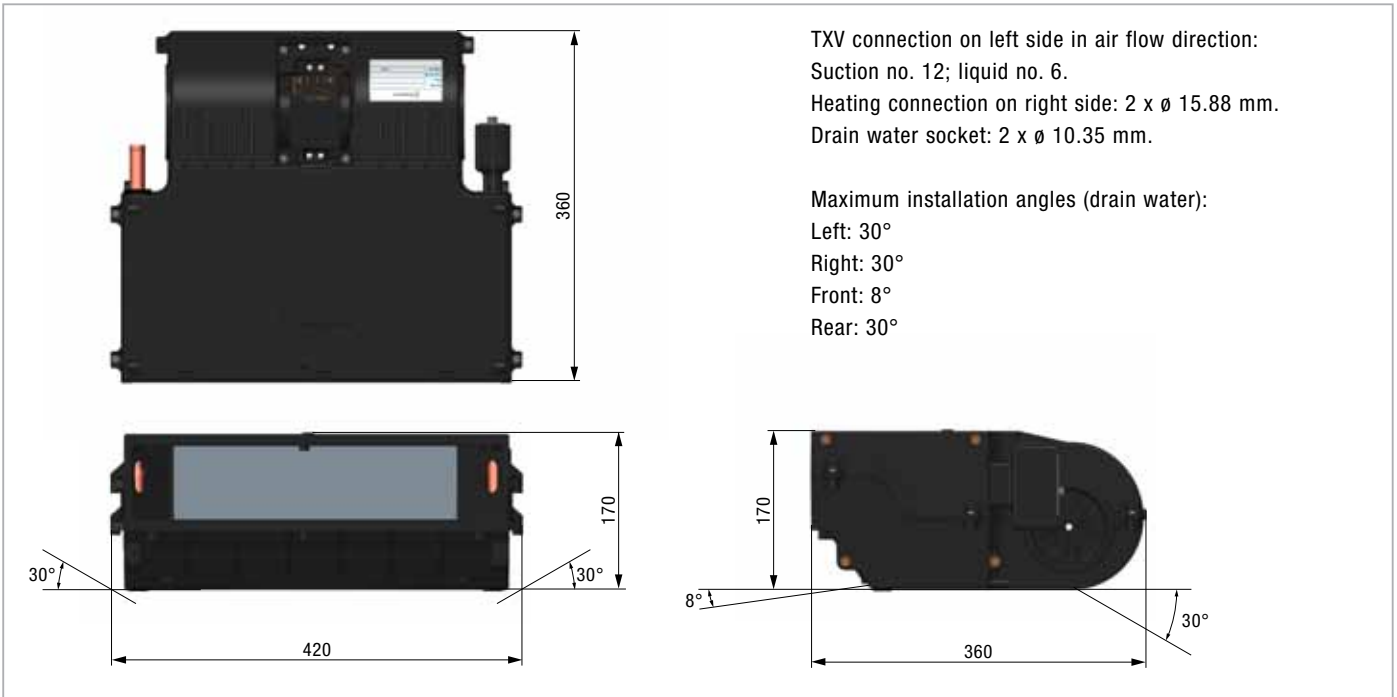


## EVAPORATOR EV6000 G1.5 – COOLING ONLY EVAPORATOR EV6000-H G1.5 – HEATING AND COOLING



### ADVANTAGES:

- Especially suitable for ambulances and police vehicles
- Suitable for larger driver cabins
- Maximum 6.0 kW cooling, combined with very compact dimensions
- Thermostatic expansion valve, also available with optional integrated solenoid valve
- Uses OEM design technology
- Hydrophilic-coated evaporator coil to improve condensate drainage
- Extremely narrow design for use in very confined spaces
- Optionally, the system can be fully automated by means of an easy-to-use digital control element
- Variety of mounting points provide an easy integration into the vehicle interior
- Powerful fans supply cool air to create comfortable conditions
- Keeps the vehicle interior pleasantly cool or warm (EV6000-H G1.5)
- Dehumidified air ensures clear windows (EV6000-H G1.5)
- Can be combined with a Hydronic for efficient heating (EV6000-H G1.5)



**EV6000 G1.5**

Model	EV6000 G1.5		EV6000 G1.5 / TXV. + SOL.*		
Cooling performance	kW		6		
Consumption at 13.8 V**	A / Watt	21.6 / 298	11 / 286	21.6 / 298	11 / 286
Air flow	m <sup>3</sup> /h		780		
Weight	kg		5.2		
Dimensions W x D x H	mm		420 x 360 x 170		
Voltage	V	12	24	12	24
Product code		81 1402 00 1995	81 1402 00 1996	81 1402 00 1997	81 1402 00 1998

**EV6000-H G1.5**

Model	EV6000-H G1.5		EV6000-H G1.5 / TXV. + SOL.*		
Cooling performance	kW		6		
Heating performance	kW		9.5		
Consumption at 13.8 V**	A / Watt	20 / 276	10,5 / 273	20 / 276	10,5 / 273
Air flow	m <sup>3</sup> /h		700		
Weight	kg		6.3		
Dimensions W x D x H	mm		420 x 360 x 170		
Voltage	V	12	24	12	24
Product code		81 1404 00 1999	81 1404 00 2000	81 1404 00 2001	81 1404 00 2002

\* TXV. = Expansion valve, SOL. = Solenoid valve \*\* Consumption measured at 13.8 V and at 26 V