

EV510 EVAPORATOR – COOLING ONLY

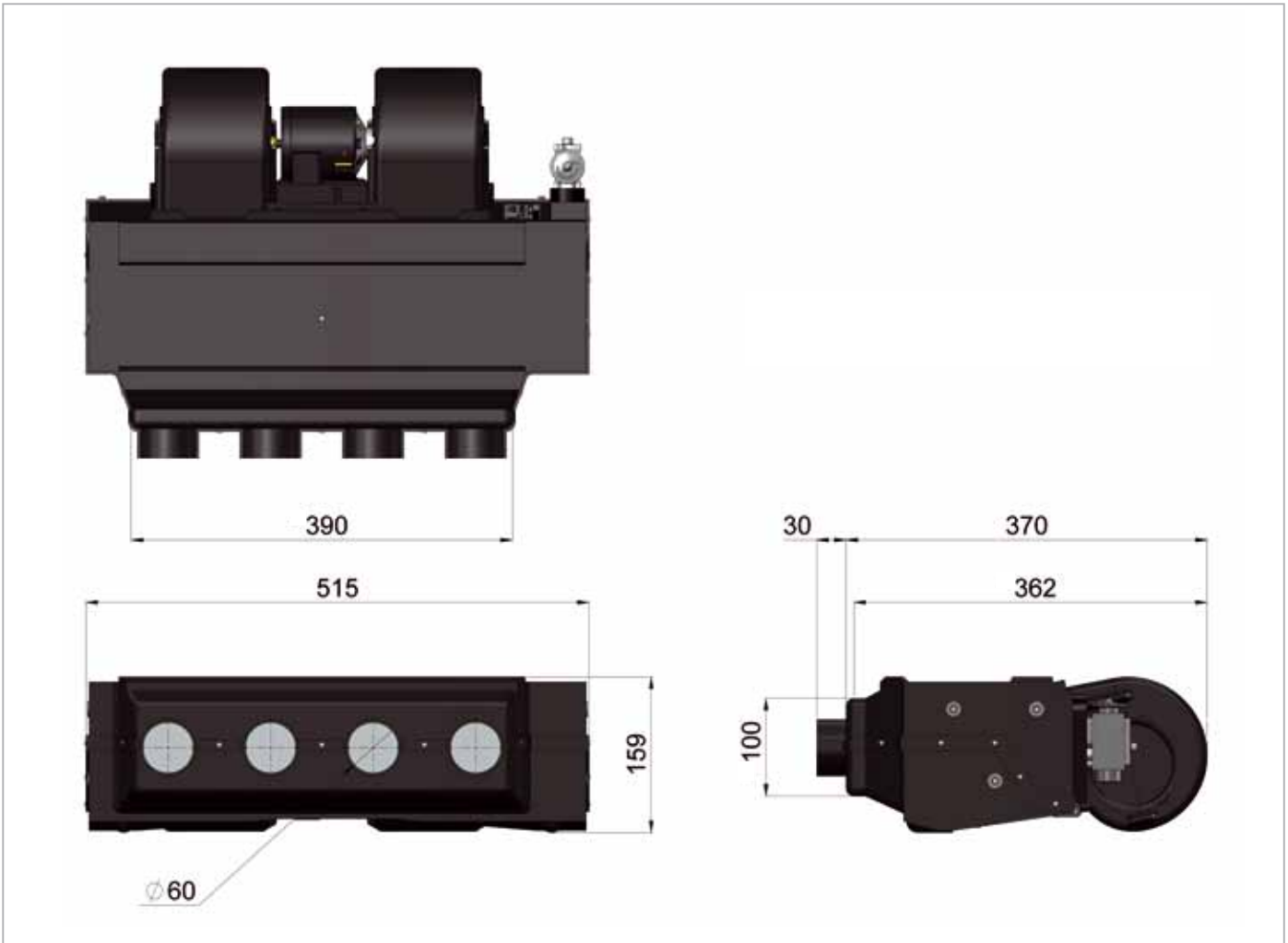




EV510 EVAPORATOR



ADVANTAGES:

- Especially suitable for minibuses and for universal use in off-highway applications.
- Extremely powerful (10 kW) for its compact size.
- Best price/performance ratio.
- Easy to integrate into the vehicle interior and featuring powerful fans to supply cool air for comfortable conditions.
- Even when the vehicle is exposed to direct sunlight and is fully occupied, the Eberspächer AC system maintains the desired temperature.



DESCRIPTION					
		EV510 with spigots		EV510 without spigots	
Evaporator		81 1009 10 0325	81 1009 10 0406	81 1009 10 0413	81 1009 10 0419
Part Number					
Voltage	V	12	24	12	24
Current draw (max.)	A	19	10	19	10
Cooling Performance	kW	10			
Airflow	m³/h	700			
Weight	kg	6.0			
Dimensions W x D x H	mm	515 x 400 x 160			

Date 08/2013 - Subject to change without notice.