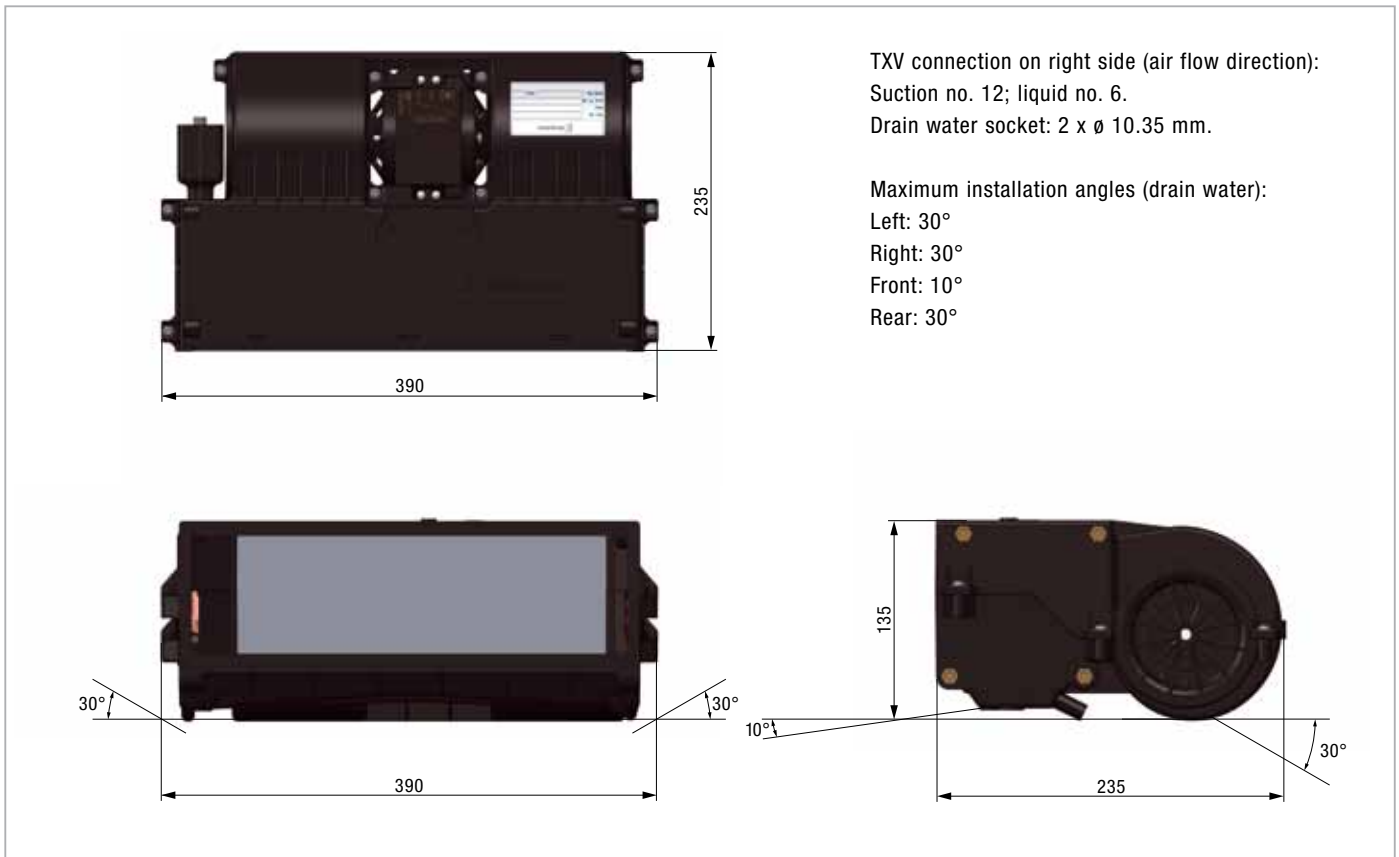


## EVAPORATOR EV4000 G1.5 – COOLING ONLY



### ADVANTAGES:

- Especially suitable for ambulances to supplement OEM systems
- Suitable for smaller driver cabins
- Maximum 4.0 kW cooling, combined with very compact dimensions
- Thermostatic expansion valve, also available with optional integrated solenoid valve
- Uses OEM design technology
- Hydrophilic-coated evaporator coil to improve condensate drainage
- Extremely narrow design for use in very confined spaces
- Variety of mounting points provide an easy integration into the vehicle interior
- Powerful fans supply cool air to create comfortable conditions



EV4000 G1.5					
Model		EV4000 G1.5		EV4000 G1.5 / TXV. + SOL.*	
Cooling performance	kW	4			
Consumption at 13.8 V**	A / Watt	7.8 / 108	4.5 / 117	7.8 / 108	4.5 / 117
Air flow	m³/h	450			
Weight	kg	3.8			
Dimensions W x D x H	mm	390 x 235 x 135			
Voltage	V	12	24	12	24
Product code		81 1402 00 1991	81 1402 00 1992	81 1402 00 1993	81 1402 00 1994

\* TXV. = Expansion valve, SOL. = Solenoid valve  
\*\* Consumption measured at 13.8 V and at 26 V