

# **Eberspächer Climate Control Systems GmbH & Co. KG**

## **EDIFACT Guideline**

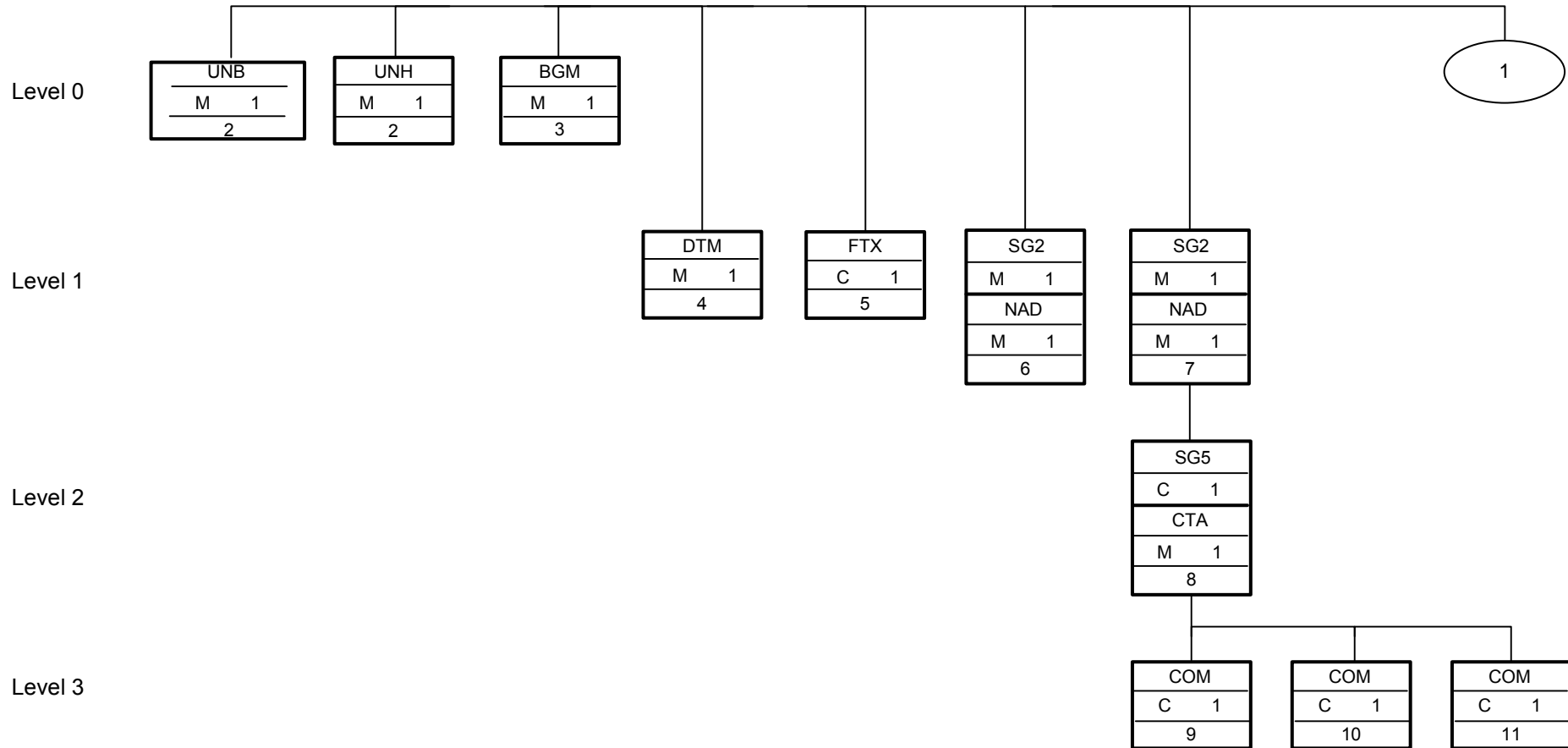
### **ORDERS-UN-D97A**

# Structure

No.	Tag	St	Rep	Contents
1	<b>UNB</b>	M	1	INTERCHANGE HEADER
2	<b>UNH</b>	M	1	MESSAGE HEADER
3	<b>BGM</b>	M	1	BEGINNING OF MESSAGE
4	<b>DTM</b>	M	1	MESSAGE DATE
5	<b>FTX</b>	C	1	FREE TEXT
6	<b>SG2</b>	M	1	NAD
	<b>NAD</b>	M	1	NAME AND ADDRESS OF SUPPLIER
7	<b>SG2</b>	M	1	NAD-SG5
	<b>NAD</b>	M	1	NAME AND ADDRESS OF BUYER
8	<b>SG5</b>	C	1	CTA-COM-COM-COM
	<b>CTA</b>	M	1	CONTACT INFORMATION
9	<b>COM</b>	C	1	PHONE NUMBER
10	<b>COM</b>	C	1	FAX NUMBER
11	<b>COM</b>	C	1	EMAIL ADDRESS
12	<b>SG2</b>	M	1	NAD-LOC-LOC
	<b>NAD</b>	M	1	DELIVERY ADDRESS
13	<b>LOC</b>	M	1	UNLOADING POINT
14	<b>LOC</b>	C	1	FINAL CONSUMPTION POINT
15	<b>SG7</b>	C	1	CUX
	<b>CUX</b>	M	1	CURRENCIES
16	<b>SG8</b>	C	1	PAT-PDC-DTM
	<b>PAT</b>	C	1	TERMS OF PAYMENT
17	<b>PCD</b>	C	1	PERCENTAGE: DISCOUNT
18	<b>SG8</b>	C	1	PAT-PDC-DTM
	<b>PAT</b>	C	1	TERMS OF PAYMENT
19	<b>SG12</b>	C	1	TOD-LOC
	<b>TOD</b>	C	1	TERMS OF DELIVERY
20	<b>SG28</b>	M	999	LIN-PIA-IMD-QTY-DTM-FTX-SG32
	<b>LIN</b>	M	1	LINE ITEM
21	<b>PIA</b>	C	1	SUPPLIER'S ARTICLE NUMBER
22	<b>IMD</b>	C	1	ITEM DESCRIPTION
23	<b>QTY</b>	M	1	ORDERED QUANTITY
24	<b>FTX</b>	C	1	FREE TEXT
25	<b>DTM</b>	C	1	REQUESTED DELIVERY DATE
26	<b>SG32</b>	M	1	LIN-PIA-IMD-QTY-DTM-FTX-SG32
	<b>PRI</b>	M	1	PRICE DETAILS
27	<b>UNS</b>	M	1	SECTION CONTROL

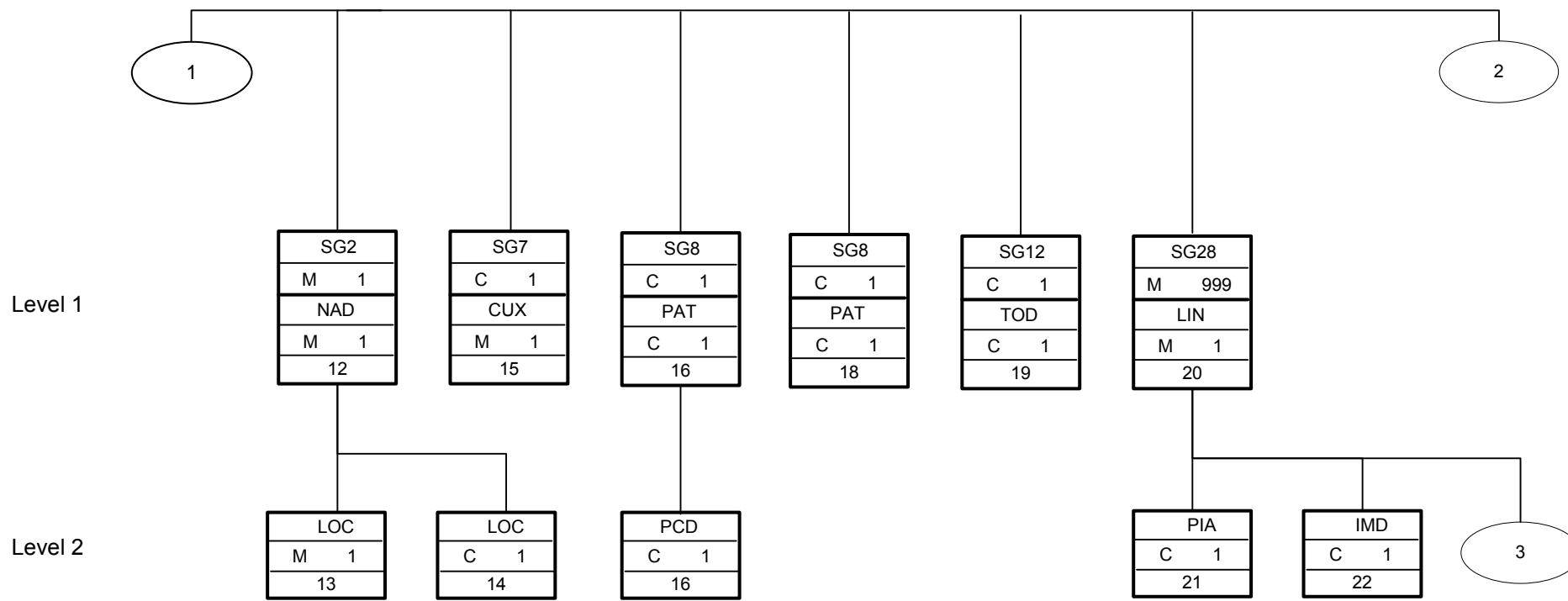
28	<b>UNT</b>	M	1	MESSAGE TRAILER
29	<b>UNZ</b>	M	1	INTERCHANGE TRAILER

# Orders



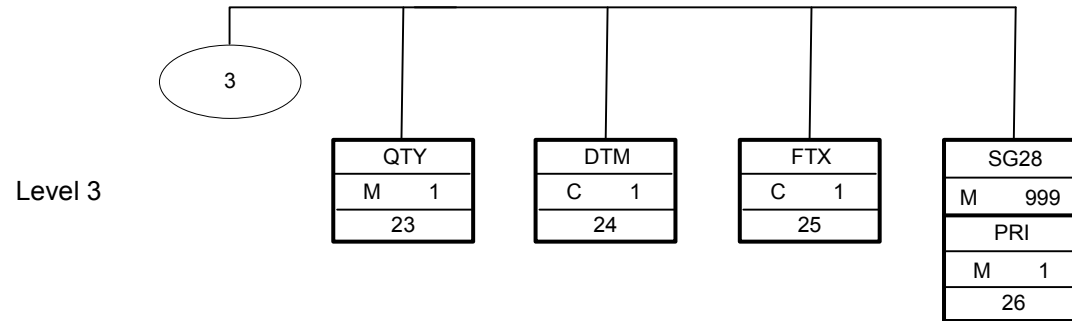
This is a branching diagram of used segments and segment groups. Every variant of a segment or segment group appears exactly one times. The letters M stands for a 'mandatory' status, whereas C means optional. The number on the right-hand side explains the maximum occurrence of this segment or segment group. The lowermost number is the consecutive number of the segment within the guide.

# Orders



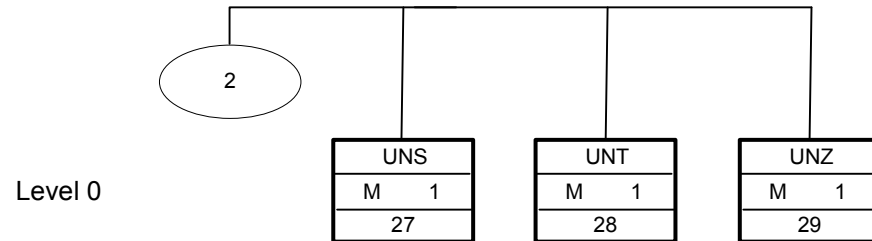
This is a branching diagram of used segments and segment groups. Every variant of a segment or segment group appears exactly one times. The letters M stands for a 'mandatory' status, whereas C means optional. The number on the right-hand side explains the maximum occurrence of this segment or segment group. The lowermost number is the consecutive number of the segment within the guide.

# Orders



This is a branching diagram of used segments and segment groups. Every variant of a segment or segment group appears exactly one times. The letters M stands for a 'mandatory' status, whereas C means optional. The number on the right-hand side explains the maximum occurrence of this segment or segment group. The lowermost number is the consecutive number of the segment within the guide.

## Orders



This is a branching diagram of used segments and segment groups. Every variant of a segment or segment group appears exactly one times. The letters M stands for a 'mandatory' status, whereas C means optional. The number on the right-hand side explains the maximum occurrence of this segment or segment group. The lowermost number is the consecutive number of the segment within the guide.

# ORDERS

Segment: **UNB**      Seg. No.: 1      Level: 0      INTERCHANGE HEADER  
 Status: M      Max. Occ.: 1

Name: INTERCHANGE HEADER

Description of segment:

UN/EDIFACT		Implementation		
	Name	St. Format	St Format	Use/Remarks
UNB				
S001	SYNTAX IDENTIFIER	M	M	
0001	Syntax identifier	M a4	M a4	<b>UNOC = UNECE level C</b> <b>3 = Version 3</b>
0002	Syntax version number	M n1	M n1	
S002	INTERCHANGE SENDER	M	M	
0004	Sender identification	M an..35	M an..35	Communication code of the sending party
0007	Partner identification code qualifier	C an..4	N	
0008	Address for reverse routing	C an..6	N	
0008	Address for reverse routing	C an..14	N	
S003	INTERCHANGE RECIPIENT	M	M	
S003	INTERCHANGE RECIPIENT	M	M	
0010	Recipient identification	M an..35	M an..35	Communication code of the receiving party
0007	Partner identification code qualifier	C an..4	N	
0014	Routing address	C an..14	N	
S004	DATE/TIME OF PREPARATION	M	M	
0017	Date of preparation	M n6	M n6	Format YYMMDD
0019	Time of preparation	M n4	M n4	Format HHMM
0020	Interchange control reference	M an..14	M an..14	Unique interchange control number
S005	RECIPIENT'S REFERENCE PASSWORD	C	N	
0022	Recipient's reference/password	M an..14	N	
0025	Recipient's reference/password	C an2	N	
0026	Application reference	C an..14	N	
0029	Processing priority code	C a1	N	
0031	Acknowledgement request	C n1	N	
0032	Communications agreement ID	C an..35	N	
0035	Test indicator	C n1	N	

Remark:

Example:

UNB+UNOC:3+SENDER+RECEIVER+110504:14:21+2837'



# ORDERS

Segment:

**UNH**

Seg. No.: 2    Level: 0    MESSAGE HEADER

Status: M    Max. Occ.: 1

Name: MESSAGE HEADER

**Description of segment:**

UN/EDIFACT		Implementation		
	Name	St Format	St Format	Use/Remarks
UNH				
0062	Message reference number	M an..14	M an..14	Message control number assigned by the sender to the message
S009	MESSAGE IDENTIFIER	M	M	
0065	Message type identifier	M an..6	M an..6	<b>ORDERS = Purchase order message</b>
0052	Message type version number	M an..3	M an..3	<b>D = Draft version/UN/EDIFACT Directory</b>
0054	Message type release number	M an..3	M an..3	<b>97A = Release 1997 A</b>
0051	Controlling agency	M an..2	M an..2	<b>UN = UN/ECE/TRADE/WP.4</b>
0057	Association assigned code	C an..6	N	
0068	Common access reference	C an..35	N	
S010	STATUS OF THE TRANSFER	C	N	
0070	Sequence message transfer number	M n..2	N	
0073	First/last sequence message transfer indication	C a1		

Remark:

Example:

UNH+1+ORDERS:D:97A:UN'

# ORDERS

Segment:

**BGM**

Seg. No.: 3    Level: 0    **BEGINNING OF MESSAGE**

Status: M    Max. Occ.: 1

Name: **BEGINNING OF MESSAGE**

**Description of segment:**

UN/EDIFACT		Implementation		
	Name	St Format	St Format	Use/Remarks
BGM				
C002	DOCUMENT/MESSAGE NAME	C	M	
1001	Document/message name, coded	C an..3	C an..3	<b>220 = Purchase Order; 221 = Blanked Order</b>
1131	Code list qualifier	C an..3	N	
3055	Code list responsible agency, coded	C an..3	N	
1000	Document/message name	C an..35	N	
C106	DOCUMENT/MESSAGE IDENTIFICATION	C	M	
1004	Document/message number	C an..35	C an..35	Order number
1056	Version	C an..9	N	
1060	Revision number	C an..6	N	
1225	Message function, coded	C an..3	M an..3	<b>9 = Original</b>
4343	Response type, coded	C an..3	N	

Remark:

Example:

BGM+220+4500096023+9'

# ORDERS

Segment:

**DTM**

Seg. No.: 4    Level: 1    **DATE/TIME/PERIOD**

Status: M    Max. Occ.: 1

Name: **DATE/TIME/PERIOD**

**Description of segment:**

UN/EDIFACT		Implementation		
	Name	St. Format	St Format	Use/Remarks
DTM				
C507	DATE/TIME/PERIOD	M	M	
2005	Date/time/period qualifier	M an..3	M an..3	<b>137 = Document/message date/time</b>
2380	Date/time/period	C an..35	C an..35	Message date
2379	Date/time/period format qualifier	C an..3	M an..3	<b>102 = CCYYMMDD</b>

Remark:

Example:

DTM+137:20110510:102'

# ORDERS

Segment:

**FTX**

Seg. No.: 4    Level: 1    **DATE/TIME/PERIOD**

Status: M    Max. Occ.: 1

Name: **DATE/TIME/PERIOD**

**Description of segment:**

UN/EDIFACT		Implementation		
	Name	St. Format	St Format	Use/Remarks
FTX				
4451	Text subject qualifier	M an..0	M an..3	<b>K01 = Header text</b>
C108	TEXT LITERAL	C	C	
4440#2	Free text	C an..0	C an..70	Free text
4440#3	Free text	C an..0	C an..70	Free text
4440#4	Free text	C an..0	C an..70	Free text
4440#4	Free text	C an..0	C an..70	Free text
4440#5	Free text	C an..0	C an..70	Free text

**Remark:**

**Example:**

FTX+K01+++Wir beziehen uns auf Ihr Angebot vom 08.09.2015'

# ORDERS

**Group:** SG2      Status: M      Max. Occ.: 1      NAD

**Segment:** NAD      Seg. No.: 6      Level: 1      NAME AND ADDRESS  
 Status: M      Max. Occ.: 1

**Name:** NAME AND ADDRESS OF SUPPLIER

**Description of segment:**

UN/EDIFACT		Implementation		
	Name	St. Format	St Format	Use/Remarks
NAD				
3035	Party qualifier	M an..3	M an..3	<b>SU = Supplier</b>
C0082	PARTY IDENTIFICATION DETAILS	C	M	
3039	Party id. Identification	M an..35	M an..35	Supplier Number
1131	Code list qualifier	C an..3	N	
3055	Code list responsible agency, coded	C an..3	M an..3	<b>92 = Assigned by buyer or buyer's agent</b>
C058	NAME AND ADDRESS	C	N	
3124	Name and address line	M an..35	N	
3124	Name and address line	C an..35	N	
3124	Name and address line	C an..35	N	
3124	Name and address line	C an..35	N	
3124	Name and address line	C an..35	N	
C080	PARTY NAME	C	C	
3036	Party name	M an..35	M an..35	Supplier name
3036	Party name	C an..35	N	
3036	Party name	C an..35	N	
3036	Party name	C an..35	N	
3036	Party name	C an..35	N	
3045	Party name format, coded	C an..3	N	
C059	STREET	C	C	
3042	Street and number/p.o. box	M an..35	M an..35	Street
3042	Street and number/p.o. box	C an..35	N	
3042	Street and number/p.o. box	C an..35	N	
3042	Street and number/p.o. box	C an..35	N	
3164	City name	C an..35	C an..35	City
3229	Country sub-entity identification	C an..9	N	
3251	Postcode identification	C an..9	C an..9	ZIP Code
3207	Country, coded	C an..3	C an..3	Country (coded)

**Remark:**

**Example:**

NAD+SU+12345::92++Supplier Company+1 Main Street+City++76543+DE'

# ORDERS

**Group:** **SG2**      Status: M      Max. Occ.: 1      NAD-SG5

**Segment:** **NAD**      Seg. No.: 7      Level: 1      **NAME AND ADDRESS**  
 Status: M      Max. Occ.: 1

**Name:**      **NAME AND ADDRESS OF BUYER**

**Description of segment:**

UN/EDIFACT		Implementation		
	Name	St. Format	St Format	Use/Remarks
NAD				
3035	Party qualifier	M an..3	M an..3	<b>BY = Buyer</b>
C0082	PARTY IDENTIFICATION DETAILS	C	M	
3039	Party id. Identification	M an..35	M an..35	Buyer number
1131	Code list qualifier	C an..3	N	
3055	Code list responsible agency, coded	C an..3	M an..3	<b>91 = Assigned by seller or seller's agent</b>
C058	NAME AND ADDRESS	C	N	
3124	Name and address line	M an..35	N	
3124	Name and address line	C an..35	N	
3124	Name and address line	C an..35	N	
3124	Name and address line	C an..35	N	
3124	Name and address line	C an..35	N	
C080	PARTY NAME	C	C	
3036	Party name	M an..35	M an..35	Buyer name
3036	Party name	C an..35	N	
3036	Party name	C an..35	N	
3036	Party name	C an..35	N	
3036	Party name	C an..35	N	
3045	Party name format, coded	C an..3	N	
C059	STREET	C	C	
3042	Street and number/p.o. box	M an..35	M an..35	Street
3042	Street and number/p.o. box	C an..35	N	
3042	Street and number/p.o. box	C an..35	N	
3042	Street and number/p.o. box	C an..35	N	
3164	City name	C an..35	C an..35	City
3229	Country sub-entity identification	C an..9	N	
3251	Postcode identification	C an..9	C an..9	ZIP Code
3207	Country, coded	C an..3	C an..3	Country (coded)

**Remark:**

**Example:**

NAD+BY+98765::91++Eberspächer Climate Control Systems:GmbH & Co. KG+Eberspächerstraße 24+Esslingen a. N.++73730+DE'

# ORDERS

**Group:** SG2      Status: M      Max. Occ.: 1      NAD-SG5

**Group:** SG5      Status: C      Max. Occ.: 1      CTA-COM

**Segment:** CTA      Seg. No.: 8      Level: 2      **CONTACT INFORMATION**

  Status: M      Max. Occ.: 1

**Name: CONTACT INFORMATION**

### Description of segment:

UN/EDIFACT		Implementation		
	Name	St. Format	St Format	Use/Remarks
CTA				
3139	Contact function, coded	C an..3	M an..3	<b>PD = Purchasing contact</b>
C056	DEPARTMENT OR EMPLOYEE DETAILS	C	C	
3413	Department or employee identification	C an..17	N	
3412	Department or employee	C an..35	M an..35	Contact name or department

**Remark:**

**Example:**  
CTA+PD+:eCatalog / Fr.Beck'

# ORDERS

**Group:** **SG2**      Status: M      Max. Occ.: 1      NAD-SG5  
**Group:** **SG5**      Status: C      Max. Occ.: 1      CTA-COM  
**Segment:** **COM**      Seg. No.: 9      Level: 3      **COMMUNICATION CONTACT**  
    Status: C      Max. Occ.: 1  
**Name:**      **PHONE NUMBER**

**Description of segment:**

UN/EDIFACT		Implementation		
	Name	St. Format	St Format	Use/Remarks
COM				
C076	COMMUNICATION CONTACT	M	M an..3	
3148	Communication number	M an..512	M an..512	Phone number
3155	Communication channel qualifier	M an..3	M an..3	<b>TE = Telephone</b>

**Remark:**

**Example:**  
COM+0711/9390535:TE'



# ORDERS

**Group:** **SG2** Status: M Max. Occ.: 1 NAD-SG5

**Group:** **SG5** Status: C Max. Occ.: 1 CTA-COM

**Segment:** **COM** Seg. No.: 9 Level: 3 **COMMUNICATION CONTACT**  
 Status: C Max. Occ.: 1

**Name:** **FAX NUMBER**

**Description of segment:**

UN/EDIFACT		Implementation		
	Name	St. Format	St Format	Use/Remarks
COM				
C076	COMMUNICATION CONTACT	M	M an..3	
3148	Communication number	M an..512	M an..512	Fax number
3155	Communication channel qualifier	M an..3	M an..3	<b>FX = Telefax</b>

**Remark:**

**Example:**  
 COM+0711/939160535:FX'

# ORDERS

**Group:** SG2      Status: M    Max. Occ.: 1    NAD-SG5

**Group:** SG5      Status: C    Max. Occ.: 1    CTA-COM

**Segment:** COM      Seg. No.: 11    Level: 3    **COMMUNICATION CONTACT**  
 Status: C    Max. Occ.: 1

**Name:**    **EMAIL ADDRESS**

**Description of segment:**

UN/EDIFACT		Implementation		
	Name	St. Format	St Format	Use/Remarks
COM				
C076	COMMUNICATION CONTACT	M	M an..3	
3148	Communication number	M an..512	M an..512	Email address
3155	Communication channel qualifier	M an..3	M an..3	<b>EM = Electronic mail</b>

**Remark:**

**Example:**  
 COM+silke.beck@eberspaecher.com:EM'

# ORDERS

**Group:** **SG2**      Status: M    Max. Occ.: 1    NAD-LOC

**Segment:** **NAD**      Seg. No.: 12    Level: 1    **NAME AND ADDRESS**  
 Status: M    Max. Occ.: 1

**Name:**      **DELIVERY ADDRESS**

**Description of segment:**

UN/EDIFACT		Implementation		
	Name	St. Format	St Format	Use/Remarks
NAD				
3035	Party qualifier	M an..3	M an..3	<b>ST = Ship to</b>
C0082	PARTY IDENTIFICATION DETAILS	C	M	
3039	Party id. Identification	M an..35	M an..35	Plant code
1131	Code list qualifier	C an..3	N	
3055	Code list responsible agency, coded	C an..3	M an..3	<b>92 = Assigned by buyer or buyer's agent</b>
C058	NAME AND ADDRESS	C	N	
3124	Name and address line	M an..35	N	
3124	Name and address line	C an..35	N	
3124	Name and address line	C an..35	N	
3124	Name and address line	C an..35	N	
3124	Name and address line	C an..35	N	
C080	PARTY NAME	C	C	
3036	Party name	M an..35	M an..35	Plant name
3036	Party name	C an..35	N	
3036	Party name	C an..35	N	
3036	Party name	C an..35	N	
3036	Party name	C an..35	N	
3045	Party name format, coded	C an..3	N	
C059	STREET	C	C	
3042	Street and number/p.o. box	M an..35	M an..35	Street
3042	Street and number/p.o. box	C an..35	N	
3042	Street and number/p.o. box	C an..35	N	
3042	Street and number/p.o. box	C an..35	N	
3164	City name	C an..35	C an..35	City
3229	Country sub-entity identification	C an..9	N	
3251	Postcode identification	C an..9	C an..9	ZIP Code
3207	Country, coded	C an..3	C an..3	Country (coded)

**Remark:**

**Example:**

NAD+ST+0100::92++Eberspächer Climate Control Systems:GmbH & Co. KG - Werk 3+Zeppelinstrasse 100+Esslingen++73730+DE'

# ORDERS

**Group:** **SG2**      Status: M    Max. Occ.: 1    NAD-LOC

**Segment:** **LOC**      Seg. No.: 13    Level: 2    **LOCATION IDENTIFICATION**  
 Status: M    Max. Occ.: 1

**Name:**      **UNLOADING POINT**

**Description of segment:**

UN/EDIFACT		Implementation		
	Name	St. Format	St Format	Use/Remarks
LOC				
3227	Location qualifier	M an..3	M an..3	<b>11 = Place of discharge</b>
C517	LOCATION IDENTIFICATION	C	M	
3225	Place/location identification	C an..25	M an..25	Number of unloading point
1131	Code list qualifier	C an..3	N	
3055	Code list responsible agency, coded	C an..3	N	
3224	Location	C an..70	C an..70	Description of unloading point
C519	RELATED LOCATION ONE IDENTIFICATION	C	N	
3223	Related place/location one identification	C an..25	N	
1131	Code list qualifier	C an..3	N	
3055	Code list responsible agency, coded	C an..3	N	
3222	Related place/location one	C an..70	N	
C553	RELATED LOCATION TWO IDENTIFICATION	C	N	
3233	Related place/location two identification	C an..25	N	
1131	Code list qualifier	C an..3	N	
3055	Code list responsible agency, coded	C an..3	N	
3232	Related place/location two	C an..70	N	
5479	Relation, coded	C an..3	N	

**Remark:**

**Example:**  
 LOC+11+0100'

# ORDERS

**Group:** **SG2**      Status: M    Max. Occ.: 1    NAD-LOC

**Segment:** **LOC**      Seg. No.: 14    Level: 2    **LOCATION IDENTIFICATION**  
 Status: C    Max. Occ.: 1

**Name:**      **FINAL CONSUMPTION POINT**

**Description of segment:**

UN/EDIFACT		Implementation		
	Name	St. Format	St Format	Use/Remarks
LOC				
3227	Location qualifier	M an..3	M an..3	<b>159 = Additional internal destination</b>
C517	LOCATION IDENTIFICATION	C	M	
3225	Place/location identification	C an..25	M an..25	Number of final consumption point
1131	Code list qualifier	C an..3	N	
3055	Code list responsible agency, coded	C an..3	N	
3224	Location	C an..70	C an..70	Description of final consumption point
C519	RELATED LOCATION ONE IDENTIFICATION	C	N	
3223	Related place/location one identification	C an..25	N	
1131	Code list qualifier	C an..3	N	
3055	Code list responsible agency, coded	C an..3	N	
3222	Related place/location one	C an..70	N	
C553	RELATED LOCATION TWO IDENTIFICATION	C	N	
3233	Related place/location two identification	C an..25	N	
1131	Code list qualifier	C an..3	N	
3055	Code list responsible agency, coded	C an..3	N	
3232	Related place/location two	C an..70	N	
5479	Relation, coded	C an..3	N	

**Remark:**

**Example:**  
 LOC+159+911'

# ORDERS

**Group:** **SG7**      Status: M    Max. Occ.: 1    CUX

**Segment:** **CUX**      Seg. No.: 15    Level: 1    **CURRENCIES**  
 Status: M    Max. Occ.: 1

**Name:** **CURRENCIES**

**Description of segment:**

UN/EDIFACT			Implementation	
	Name	St. Format	St Format	Use/Remarks
CUX				
C504	CURRENCY DETAILS	C	M	
6347	Currency details qualifier	M an..3	M an..3	<b>2 = Reference currency</b>
6345	Currency, coded	C an..3	M an..3	<b>EUR = Euro</b>
6343	Currency qualifier	C an..3	N	
6348	Currency rate base	C n..4	N	
C504	CURRENCY DETAILS	C	N	
6347	Currency details qualifier	M an..3	N	
6345	Currency, coded	C an..3	N	
6343	Currency qualifier	C an..3	N	
6348	Currency rate base	C n..4	N	
5402	Rate of exchange	C n..12	N	
6341	Currency market exchange, coded	C an..3	N	

**Remark:**

**Example:**  
 CUX+2:EUR'

# ORDERS

**Group:** **SG8**      Status: C      Max. Occ.: 10      PAT-PDC-DTM

**Segment:** **PAT**      Seg. No.: 20      Level: 3      **TERMS OF PAYMENT**  
 Status: M      Max. Occ.: 1

**Name:**      **TERMS OF PAYMENT**

**Description of segment:**

UN/EDIFACT		Implementation		
	Name	St. Format	St Format	Use/Remarks
4279	Payment terms type, qualifier	M	M	<b>22 = Discount</b>
C110	PAYMENT TERMS	C	C	
4277	Terms of payment, identification	M an..17	N	
1131	code list, qualifier	C an..3	N	
3055	code list responsible agency, coded maintenance, coded	C an..3	N	
4276	Terms of payment	C an..35	N	
4276	Terms of payment	C an..35	N	
C112	TERMS/TIME INFORMATION			
2475	Payment time reference, coded			9 = Date invoice received
2009	Time relation, coded	C an..3	C	
2151	Type of period, coded	C an..3	C	CD = Calendar days inclusive weekend and holidays
2152	Number of periods	C n..3	C	<b>Number of Periods (Days)</b>

**Remark:**

**Example:**

PAT+22++9::CD:14'

# ORDERS

**Group:** **SG8**      Status: C    Max. Occ.: 1    PAT-PDC-DTM

**Segment:** **PCD**      Seg. No.: 21    Level: 1    **PERCENTAGE**  
 Status: M    Max. Occ.: 1

**Name:**    **PERCENTAGE: DISCOUNT**

**Description of segment:**

UN/EDIFACT		Implementation		
	Name	St. Format	St Format	Use/Remarks
C501		M	M	
5245	Percentage, qualifier	M an..3	M	<b>12 = Discount</b>
5482	Percentage	M an..3	M an..3	<b>Percentage discount (e.g. 3 %)</b>

**Remark:**

**Example:**  
 PCD+12:2'



# ORDERS

**Group:** **SG8**      Status: C      Max. Occ.: 10      PAT-PDC-DTM

**Segment:** **PAT**      Seg. No.: 22      Level: 3      **TERMS OF PAYMENT**  
 Status: M      Max. Occ.: 1

**Name:**      **TERMS OF PAYMENT (without Discount/Deduction)**

**Description of segment:**

UN/EDIFACT			Implementation	
	Name	St. Format	St Format	Use/Remarks
4279	Payment terms type, qualifier	M	M	5 = without Discount/Deduction
C110	PAYMENT TERMS	C	C	
4277	Terms of payment, identification	M an..17	N	
1131	Code list, qualifier	C an..3	N	
3055	Code list responsible agency, coded	C an..3	N	
4276	Terms of payment	C an..35	N	
4276	Terms of payment	C an..35	N	
C112	TERMS/TIME INFORMATION	C	C	
2475	Payment time reference, coded	M an..3	M	9 = Date invoice received
2009	Time relation, coded	C an..3	C	
2151	Type of period, coded	C an..3	C	CD = Calendar days inclusive weekend and holidays
2152	Number of periods	C n..3	C	<b>Number of Periods (Days)</b>

**Remark:**

**Example:**

PAT+5+:::payable in ful within 60 days+9::CD:60'

# ORDERS

**Group:** SG12      Status: C      Max. Occ.: 5      TOD-LOC

**Segment:** TOD      Seg. No.: 23      Level: 1      TERMS OF DELIVERY  
 Status: M      Max. Occ.: 1

**Name:** TERMS OF DELIVERY OR TRANSPORT

**Description of segment:**

UN/EDIFACT		Implementation			
	Name	St. Format	St Format	Use/Remarks	
4055	Terms of delivery or transport coded	M an..3	M	<b>6 = Delivery condition</b>  DDP = Delivered duty paid EXW = ex works FOB = free ob board FCA = free carrier FH = free delivery (temporary)	
4215	Transport charges method of payment, coded	C an..3	C		
C100	TERMS OF DELIVERY OR PAYMENT	C	C		
4053	Terms of delivery or transport coded	M an..17	N		
1131	Code list, qualifier	C an..3	N		
3055	Code list responsible agency, coded	C an..3	N		
4052	Terms of delivery or transport	C an..70	N		Terms of delivery
4052	Terms of delivery or transport	C an..70	N		

**Remark:**

**Example:**  
 TOD+6+FH+:::plant'

# ORDERS

**Group:** **SG28**      Status: M      Max. Occ.: 999      LIN-PIA-IMD-QTY-DTM-FTX-SG32

**Segment:** **LIN**      Seg. No.: 16      Level: 1      **LINE ITEM**  
 Status: M      Max. Occ.: 1

**Name:**      **LINE ITEM**

**Description of segment:**

UN/EDIFACT		Implementation		
	Name	St. Format	St Format	Use/Remarks
LIN				
1082	Line item number	C an..6	M an..6	Line item number
1229	Action request/notification, coded	C an..3	N	
C212	ITEM NUMBER IDENTIFICATION	C	C	
7140	Item number	C an..35	C an..35	Buyer's item number
7143	Item number type, coded	C an..3	C an..3	<b>IN = Buyer's item number</b>
1131	Code list qualifier	C an..3	N	
3055	Code list responsible agency, coded	C an..3	N	
C829	SUB-LINE INFORMATION	C	N	
5495	Sub-line indicator, coded	C an..3	N	
1082	Line item number	C an..6	N	
1222	Configuration level	C n..2	N	
7083	Configuration, coded	C an..3	N	

**Remark:**

**Example:**

LIN+1++2251010038000D:IN'

# ORDERS

**Group:** **SG28**      Status: M      Max. Occ.: 999      LIN-PIA-IMD-QTY-DTM-FTX-SG32

**Segment:** **PIA**      Seg. No.: 17      Level: 2      **ADDITIONAL PRODUCT ID**  
 Status: C      Max. Occ.: 1

**Name:**      **SUPPLIER'S ARTICLE NUMBER**

**Description of segment:**

UN/EDIFACT		Implementation		
	Name	St. Format	St Format	Use/Remarks
PIA				
4347	Product id. function qualifier	M an..3	M an..3	5 = Product identification
C212	ITEM NUMBER IDENTIFICATION	M	M	
7140	Item number	C an..35	M an..35	Supplier's article number
7143	Item number type, coded	C an..3	M an..3	<b>SA = Supplier's article number</b>
1131	Code list qualifier	C an..3	N	
3055	Code list responsible agency, coded	C an..3	N	
C212	ITEM NUMBER IDENTIFICATION	C	N	
7140	Item number	C an..35	N	
7143	Item number type, coded	C an..3	N	
1131	Code list qualifier	C an..3	N	
3055	Code list responsible agency, coded	C an..3	N	
C212	ITEM NUMBER IDENTIFICATION	C	N	
7140	Item number	C an..35	N	
7143	Item number type, coded	C an..3	N	
1131	Code list qualifier	C an..3	N	
3055	Code list responsible agency, coded	C an..3	N	
C212	ITEM NUMBER IDENTIFICATION	C	N	
7140	Item number	C an..35	N	
7143	Item number type, coded	C an..3	N	
1131	Code list qualifier	C an..3	N	
3055	Code list responsible agency, coded	C an..3	N	
C212	ITEM NUMBER IDENTIFICATION	C	N	
7140	Item number	C an..35	N	
7143	Item number type, coded	C an..3	N	
1131	Code list qualifier	C an..3	N	
3055	Code list responsible agency, coded	C an..3	N	

**Remark:**

**Example:**  
 PIA+5+18613015:SA'

# ORDERS

**Group:** **SG28**      Status: M      Max. Occ.: 999      LIN-PIA-IMD-QTY-DTM-FTX-SG32

**Segment:** **IMD**      Seg. No.: 18      Level: 2      **ITEM DESCRIPTION**  
 Status: C      Max. Occ.: 1

**Name:**      **ITEM DESCRIPTION**

**Description of segment:**

UN/EDIFACT		Implementation		
	Name	St. Format	St Format	Use/Remarks
IMD				
7077	Item description type, coded	C an..3	C an..3	F = Free form
7081	Item characteristic, coded	C an..3	N	
C273	ITEM DESCRIPTION	C	M	
7009	Item description identification	C an..17	N	
1131	Code list qualifier	C an..3	N	
3055	Code list responsible agency, coded	C an..3	N	
7008	Item description	C an..35	M an..35	<b>Description of article</b>
7008	Item description	C an..35	N	
3453	Language, coded	C an..3	N	
7383	Surface/layer indicator, coded	C an..3	N	

**Remark:**

**Example:**  
 IMD+F+:::Winkelfraeser'

# ORDERS

**Group:** **SG28**      Status: M      Max. Occ.: 999      LIN-PIA-IMD-QTY-DTM-FTX-SG32

**Segment:** **QTY**      Seg. No.: 19      Level: 2      **QUANTITY**  
 Status: C      Max. Occ.: 1

**Name:**      **ORDERED QUANTITY**

**Description of segment:**

UN/EDIFACT		Implementation		
	Name	St. Format	St Format	Use/Remarks
QTY				
C186	QUANTITY DETAILS	M	M	
6063	Quantity qualifier	M an..3	M an..3	<b>21 = Ordered quantity</b>
6060	Quantity	M n..15	M n..15	Ordered quantity
6411	Measure unit qualifier	C an..3	C an..3	<b>C62 = one</b> <b>KGM = kilogram</b>

**Remark:**

**Example:**

QTY+21:5:C62'

# ORDERS

**Group:** **SG28**      Status: M      Max. Occ.: 999      LIN-PIA-IMD-QTY-DTM-FTX-SG32

**Segment:** **DTM**      Seg. No.: 20      Level: 2      **DATE/TIME/PERIOD**  
 Status: C      Max. Occ.: 1

**Name:**      **REQUESTED DELIVERY DATE**

**Description of segment:**

UN/EDIFACT		Implementation		
	Name	St. Format	St Format	Use/Remarks
DTM				
C507	DATE/TIME/PERIOD	M	M	
2005	Date/time/period qualifier	M an..3	M an..3	<b>2 = Delivery date/time, requested</b>
2380	Date/time/period	C an..35	M an..35	Requested delivery date
2379	Date/time/period format qualifier	C an..3	M an..3	<b>102 = CCYYMMDD</b>

**Remark:**

**Example:**

DTM+2:20110608:102'

# ORDERS

**Group:** **SG28**      Status: M      Max. Occ.: 999      LIN-PIA-IMD-QTY-DTM-FTX-SG32

**Segment:** **FTX**      Seg. No.: 4      Level: 1      **DATE/TIME/PERIOD**  
 Status: O      Max. Occ.: 1

**Name:**      **DATE/TIME/PERIOD**

**Description of segment:**

UN/EDIFACT		Implementation		
Name	St. Format	St Format	Use/Remarks	
FTX				
4451	Text subject qualifier	M an..0	M an..3	<b>P01 = Item text</b>
C108	TEXT LITERAL	C	C	
4440#2	Free text	C an..0	C an..70	Free text
4440#3	Free text	C an..0	C an..70	Free text
4440#4	Free text	C an..0	C an..70	Free text
4440#4	Free text	C an..0	C an..70	Free text
4440#5	Free text	C an..0	C an..70	Free text

**Remark:**

**Example:**

FTX+P01+++Tischventilator DOMO'



## ORDERS

**Group:** **SG28**      Status: M    Max. Occ.: 1    LIN-PIA-IMD-QTY-DTM-FTX-SG32  
**Group:** **SG32**      Status: M    Max. Occ.: 1    CTA-COM  
**Segment:** **PRI**      Seg. No.: 22    Level: 2    **PRICE DETAILS**  
    Status: M    Max. Occ.: 1

**Name:**      **PRICE DETAILS**

**Description of segment:**

UN/EDIFACT		Implementation		
	Name	St. Format	St Format	Use/Remarks
PRI				
C509	PRICE INFORMATION	C	M	
5125	Price qualifier	M an..3	M an..3	<b>AAA = Calculation net</b>
5118	Price	C n..15	M n..15	Price
5375	Price type, coded	C an..3	N	
5387	Price type qualifier	C an..3	N	
5284	Unit price basis	C n..9	M n..9	Unit price basis
6411	Measure unit qualifier	C an..3	M an..3	<b>C62 = one</b> <b>KGM = kilogram</b>
5213	Sub-line price change, coded	C an..3	N	

**Remark:**

**Example:**  
 PRI+AAA:62.50::1:C62'

# ORDERS

Segment:

**UNS**

Seg. No.: 23    Level: 0    **SECTION CONTROL**

Status: M    Max. Occ.: 1

Name:    **SECTION CONTROL**

**Description of segment:**

UN/EDIFACT		Implementation		
	Name	St Format	St Format	Use/Remarks
UNS				
0081	Section identification	M a1	M a1	S = Detail/summary section separation

Remark:

Example:

UNS+S'

# ORDERS

Segment:

**UNT**

Seg. No.: 24    Level: 0    MESSAGE TRAILER

Status: M    Max. Occ.: 1

Name: MESSAGE TRAILER

**Description of segment:**

UN/EDIFACT		Implementation		
	Name	St Format	St Format	Use/Remarks
UNT				
0074	Number of segments in a message	M n..6	M n..6	Control count of the number of segments in the message, including UNH and UNT
0062	Message reference number	M an..14	M an..14	Number must be identical to UNH_0062

Remark:

Example:

UNT+22+1'

# ORDERS

Segment:

**UNZ**

Seg. No.: 25    Level: 0    INTERCHANGE TRAILER

Status: M    Max. Occ.: 1

Name: INTERCHANGE TRAILER

**Description of segment:**

UN/EDIFACT		Implementation		
	Name	St Format	St Format	Use/Remarks
UNZ				
0036	Interchange control count	M n..6	M n..6	
0020	Interchange control reference	M an..14	M an..14	Value must be the same as 0020 Interchange control reference in UNB

Remark:

Example:

UNZ+1+0049900500'

# ORDERS

Example message

No.	Tag	Example
01	<b>UNB</b>	UNB+UNOC:3+SENDER+RECEIVER+110504:14:21+2837'
02	<b>UNH</b>	UNH+1+ORDERS:D:97A:UN'
03	<b>BGM</b>	BGM+220+4500096023+9'
04	<b>DTM</b>	DTM+137:20110510:102'
05	<b>FTX</b>	FTX+K01:Wir beziehen uns auf Ihr Angebot vom 08.09.2015'
	<b>SG2</b>	
05	<b>NAD</b>	NAD+SU+12345::92++Supplier Company+1 Main Street+City++76543+DE'
	<b>SG2</b>	
06	<b>NAD</b>	NAD+BY+6200256::91++Eberspächer Climate Control Systems:GmbH & Co. KG+ Eberspächerstraße 24+Esslingen a. N.++73730+DE'
	<b>SG5</b>	
07	<b>CTA</b>	CTA+PD+:eCatalog / Fr.Beck'
08	<b>COM</b>	COM+0711/9390535:TE'
09	<b>COM</b>	COM+0711/939160535:FX'
10	<b>COM</b>	COM+silke.beck@eberspaecher.com:EM'
	<b>SG2</b>	
11	<b>NAD</b>	NAD+ST+0100::92++Eberspächer Climate Control Systems:GmbH & Co. KG - Werk 3+Zeppelinstrasse 100+Esslingen++73730+DE'
12	<b>LOC</b>	LOC+11+0100'
13	<b>LOC</b>	LOC+159+911'
	<b>SG7</b>	
14	<b>CUX</b>	CUX+2:EUR'
	<b>SG8</b>	
15	<b>PAT</b>	PAT+22++9::CD:30'
16	<b>PCD</b>	PCD+12:3'
	<b>SG8</b>	
18	<b>PAT</b>	PAT+5+:::payable in ful within 60 days+9::CD:60'
	<b>SG12</b>	
17	<b>TOD</b>	TOD+6+FH'
	<b>SG28</b>	
19	<b>LIN</b>	LIN+1+++2251010038000D:IN'
20	<b>PIA</b>	PIA+5+18613015:SA'
21	<b>IMD</b>	IMD+F++:::Winkelfraeser'
22	<b>QTY</b>	QTY+21:5:C62'
23	<b>FTX</b>	FTX+P01:Tischventilator DOMO'
24	<b>DTM</b>	DTM+2:20110608:102'
	<b>SG32</b>	
25	<b>PRI</b>	PRI+AAA:62.50:::1:C62'
26	<b>UNS</b>	UNS+S'
27	<b>UNT</b>	UNT+27+1'
28	<b>UNZ</b>	UNZ+1+2837'